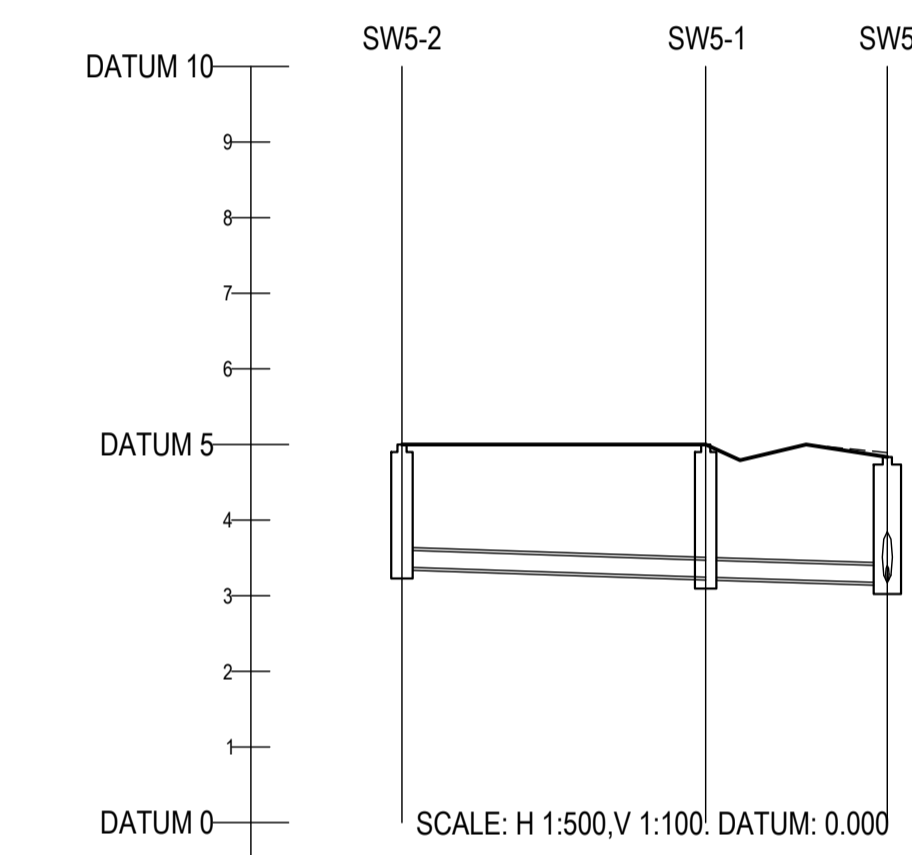
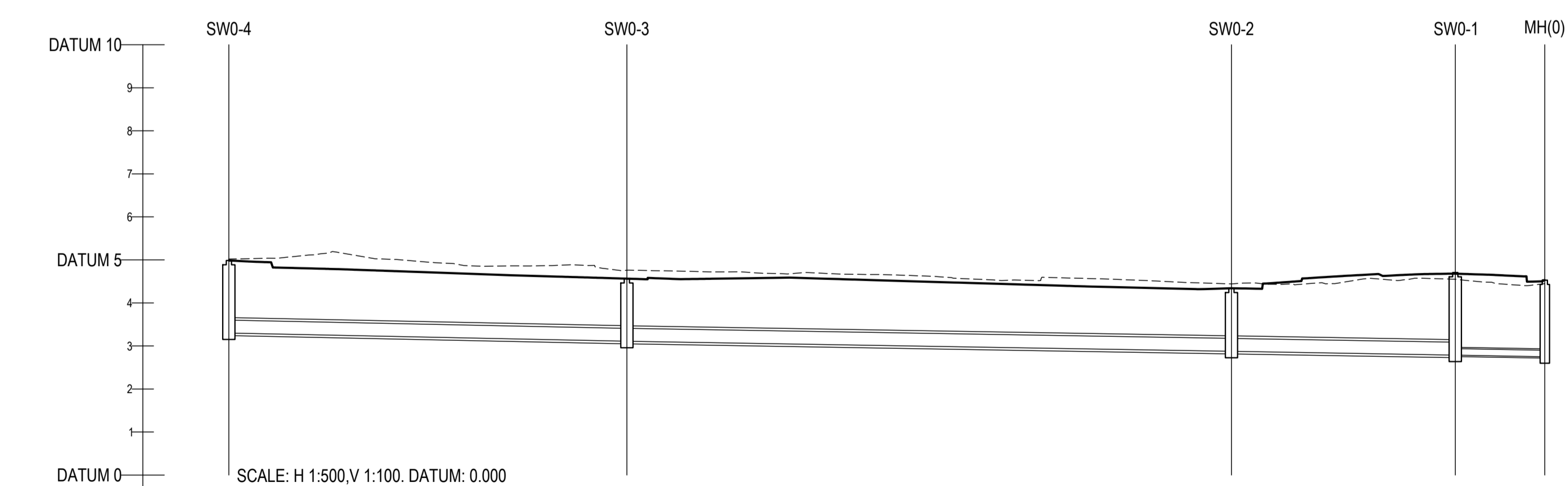


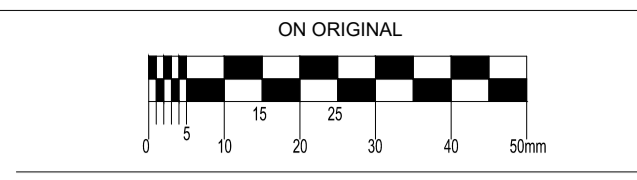
COVER LEVEL		5.000		5.000		4.244	4.120		4.314		4.666		4.629
INVERT LEVEL		3.600		3.262	3.262	3.172	3.172		2.946		2.794	2.752	2.749
DEPTH (m)		1.400		1.718	1.718	1.072	0.964		1.368		1.874	1.910	1.880
DISTANCE (m)			47.79		11.97		3.25	21.60		30.87		9.17	
PIPE SLOPE			1:150		1:109		Horizontal	1:203	1:103		1:203	1:214	
PIPE SIZE			225mm		225mm		675mm	225mm	225mm		225mm	225mm	



COVER LEVEL		5.000		5.000		4.855
INVERT LEVEL		3.379		3.245	3.245	3.172
DEPTH (m)		1.621		1.755	1.755	1.883
DISTANCE (m)			20.08		12.01	
PIPE SLOPE			1:150		1:165	
PIPE SIZE			225mm		225mm	



COVER LEVEL		4.596		4.564		4.341		4.706		4.529
INVERT LEVEL		3.300		3.109	3.109	2.875	2.875		2.787	2.749
DEPTH (m)		1.296		1.455	1.455	1.466	1.466		1.919	1.780
DISTANCE (m)			46.23		70.23		26.00		10.40	
PIPE SLOPE			1:242		1:300		1:295		1:274	
PIPE SIZE			300mm		300mm		300mm		150mm	



© COPYRIGHT OF THIS DRAWING IS RESERVED BY DBFL CONSULTING ENGINEERS. NO PART SHALL BE REPRODUCED OR TRANSMITTED WITHOUT THEIR WRITTEN PERMISSION.
 NO CHANGES OF WHATSOEVER NATURE ARE TO BE MADE TO ANY DETAILS SET OUT OR CONTAINED IN ANY DBFL SPECIFICATIONS OR DRAWINGS UNLESS THE EXPRESS CONSENT HAS BEEN OBTAINED IN ADVANCE, IN WRITING, FROM DBFL.

- NOTES:
- ALL DRAWINGS TO BE CHECKED BY CONTRACTOR ON SITE AND ENGINEER INFORMED OF DISCREPANCIES BEFORE WORK COMMENCES
 - ALL LEVELS ARE IN METRES AND ARE RELATED TO ORDNANCE DATUM
 - CONTRACTOR SHALL SATISFY HIMSELF AS TO THE ACCURACY OF PAVEMENT LEVELS ON SITE PRIOR TO COMMENCEMENT OF WORKS ON SITE
 - ALL WORKS TO BE CONSTRUCTED IN ACCORDANCE WITH THE NRA SPECIFICATION FOR ROAD WORKS UNLESS NOTED OTHERWISE
 - THIS DRAWING IS FOR PLANNING PURPOSES ONLY
 - MANHOLE COVER LEVELS ARE TO CONFORM WITH FINISHED ROAD AND PATH LEVELS
 - WHERE COVER TO PIPE IS LESS THAN 100mm (ROAD/PATH/VERGE) OR 900mm (OPEN SPACE) SURROUND PIPE IN MINIMUM 150mm CONCRETE

KEY
 - - - - - EXISTING GROUND PROFILE
 _____ PROPOSED GROUND PROFILE

P02	24-02-23	ISSUED FOR PLANNING	DKE	DCB
P01	07-10-22	ISSUED FOR PLANNING	DKE	DCB
rev	date	description	by	chkd.
		A - Approved		
		B - Approved with comments		
		C - Do not use		
client approval				
suitability		issue purpose		
S2 - INFORMATION		PLANNING		

DBFL Consulting Engineers
 Civil, Structural & Transportation Engineering
 www.dbfl.ie

DUBLIN OFFICE: Ormond House, Upper Ormond Quay, Dublin 7, D07 W704
 PHONE +353 1 454 4000

CORK OFFICE: 14 South Mall, Cork, T12 CT91
 PHONE +353 21 2624538

WATERFORD OFFICE: Suite 10 The Atrium, Maritime Gate, Canada Street, Waterford, X91 WC28
 PHONE +353 51 309 500

project ref.
RICHMOND ROAD PHASE II

drawing title
LONGITUDINAL SECTIONS THROUGH STORM WATER SEWERS - SHEET 1

client
MALKEY LIMITED

designed by	author	scale	sheet size
DCB	DKE	AS SHOWN	A1
drawing no.		revision	
210178-DBFL-SW-SP-DR-C-3301		P02	