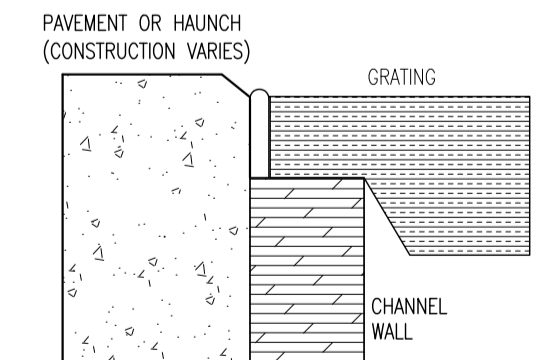
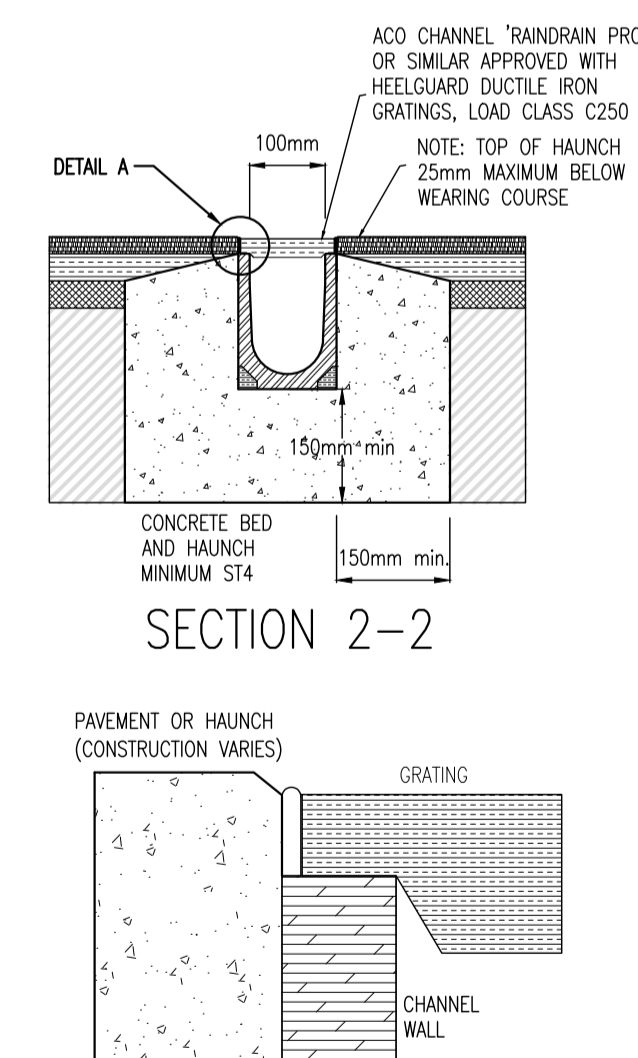
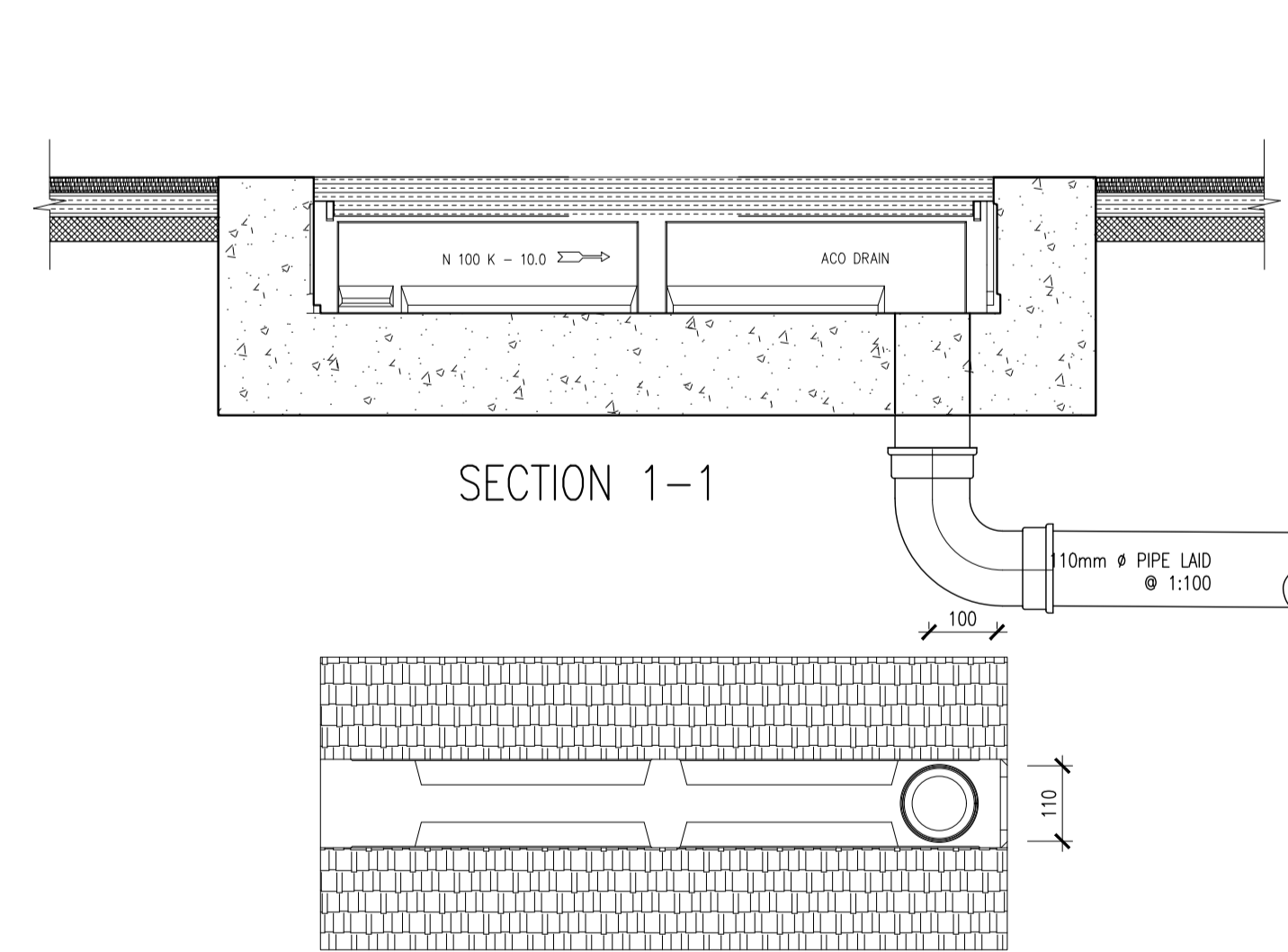
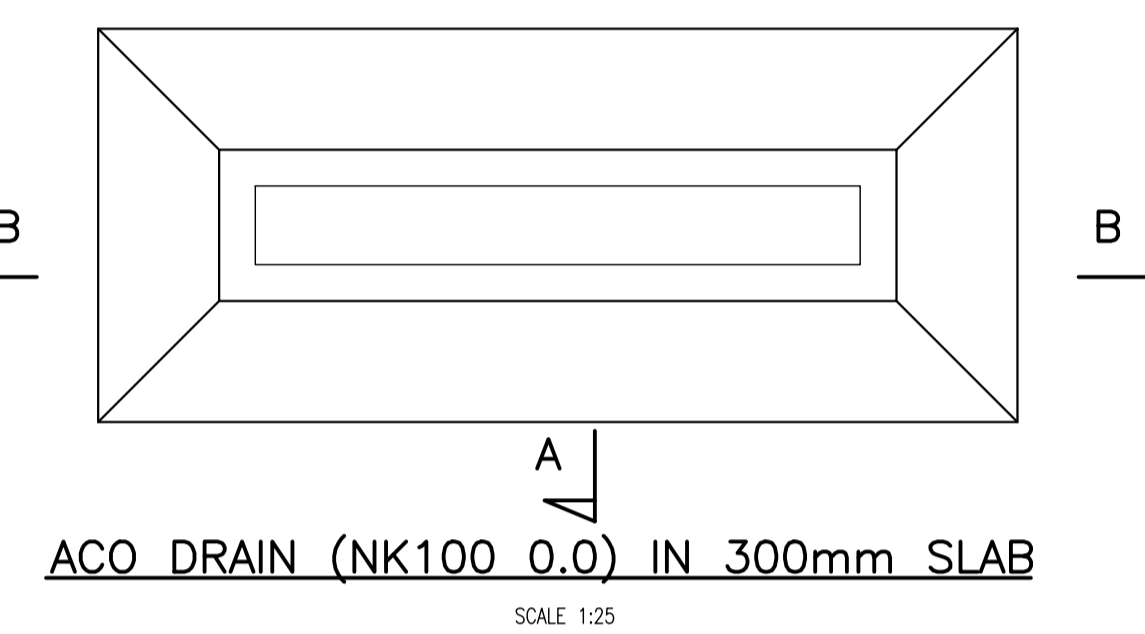
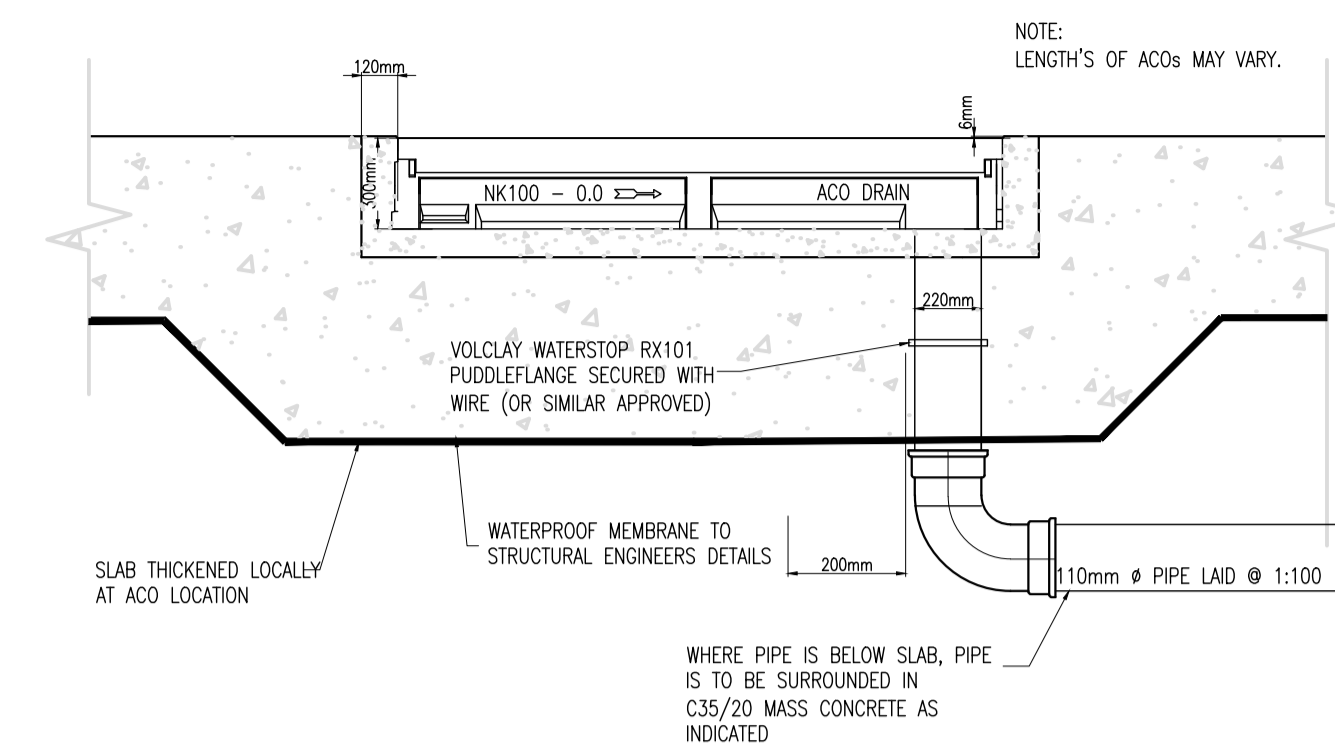
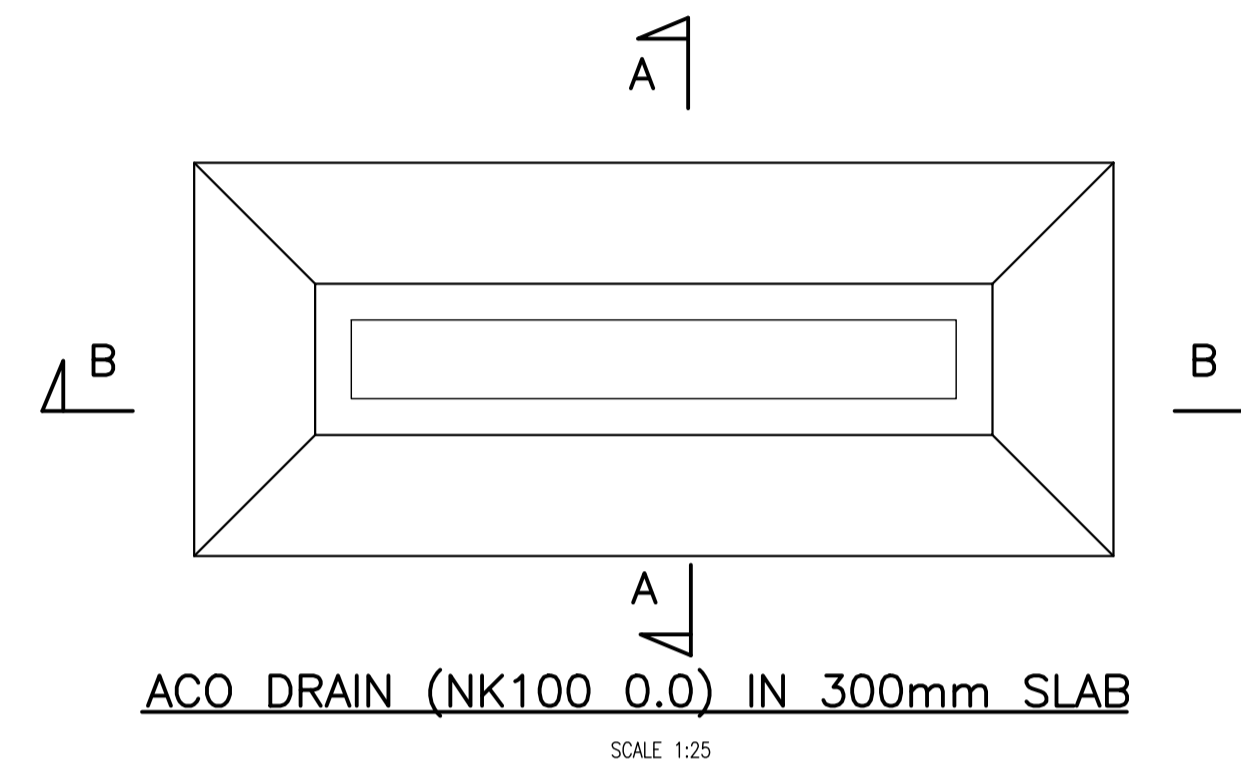
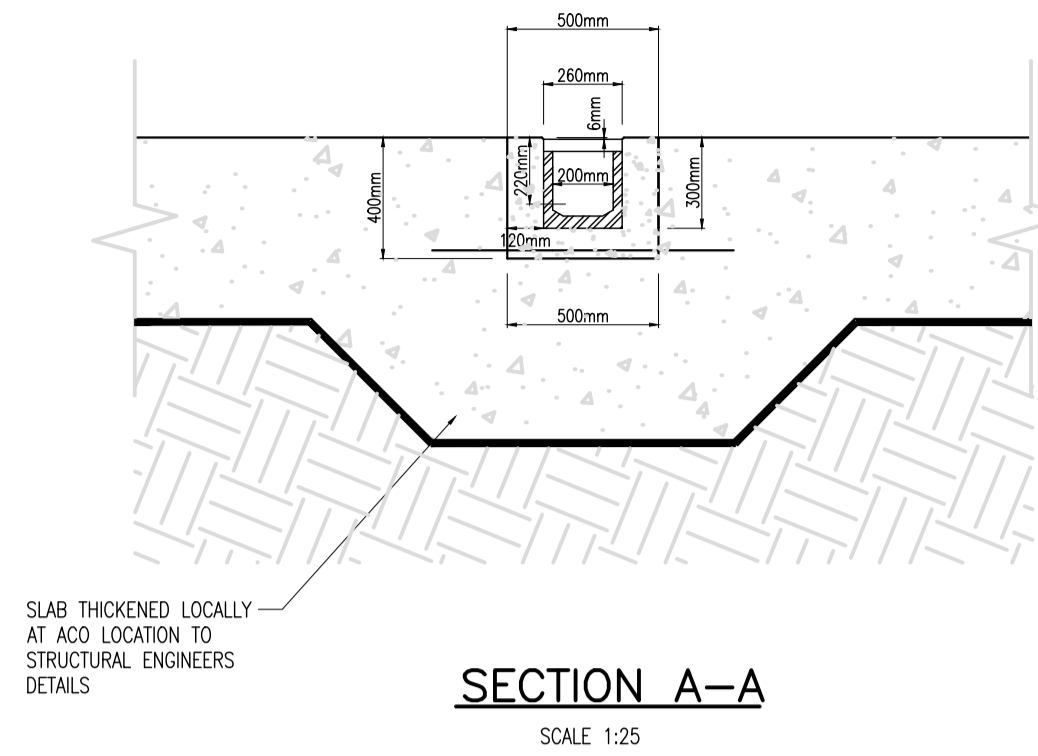
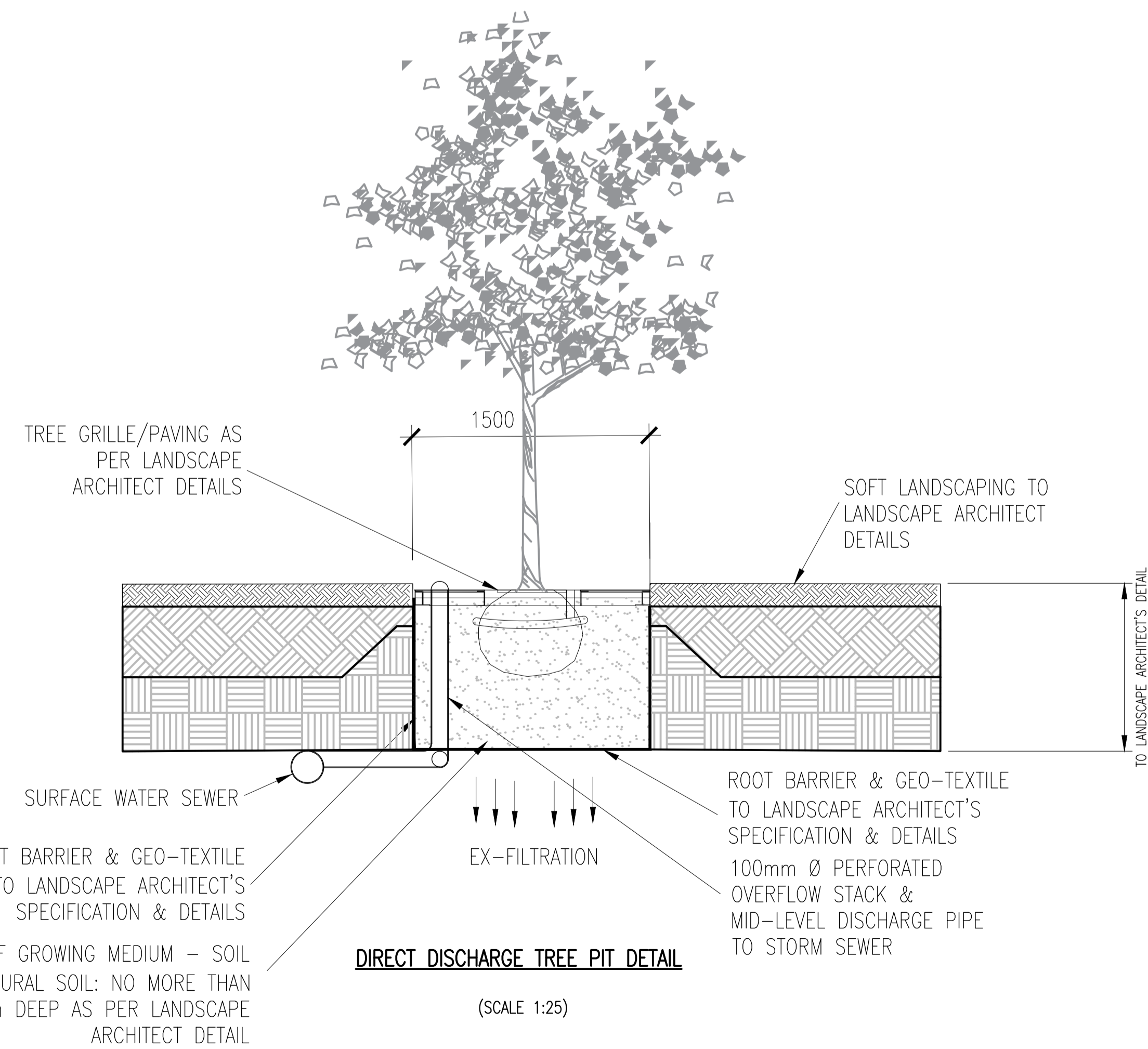
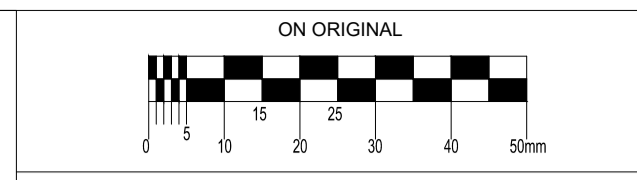


TYPICAL BEDDING DETAILS  
SCALE 1:25



ACO CHANNELS IN ASPHALT  
SCALE 1:10



© COPYRIGHT OF THIS DRAWING IS RESERVED BY DBFL CONSULTING ENGINEERS. NO PART SHALL BE REPRODUCED OR TRANSMITTED WITHOUT THEIR WRITTEN PERMISSION.

NO CHANGES OF WHATSOEVER NATURE ARE TO BE MADE TO ANY DETAILS SET OUT OR CONTAINED IN ANY DBFL SPECIFICATIONS OR DRAWINGS UNLESS THE EXPRESS CONSENT HAS BEEN OBTAINED IN ADVANCE, IN WRITING, FROM DBFL.

- NOTES:
- ALL WORKS TO COMPLY WITH THE CURRENT BUILDING REGULATIONS, WATER BYELAWS AND LOCAL AUTHORITY REQUIREMENTS.
  - SLUNG SURFACE WATER PIPEWORK SHALL BE uPVC.
  - SLUNG NETWORKS TO BE COORDINATED WITH M&E SERVICES AND ARCHITECTURAL SERVICES/DROPS.
  - MIN. FALLS IN SLUNG DRAINAGE TO COMPLY WITH BUILDING REGS

P02	24-02-23	ISSUED FOR PLANNING	DKE	DCB
P01	07-10-22	ISSUED FOR PLANNING	DKE	DCB
rev	date	description	by	chkd.
		A - Approved		
		B - Approved with comments		
		C - Do not use		
client approval				
suitability		issue purpose		
S2 - INFORMATION		PLANNING		

**DBFL Consulting Engineers**  
Civil, Structural & Transportation Engineering  
www.dbfl.ie

DUBLIN OFFICE: Ormond House, Upper Ormond Quay, Dublin 7, D07 W704  
PHONE +353 1 454 4000

CORK OFFICE: 14 South Mall, Cork, T12 CT91  
PHONE +353 21 2624538

WATERFORD OFFICE: Suite 10 The Atrium, Maritime Gate, Canada Street, Waterford, X91 W028  
PHONE +353 51 309 500

project ref.

**RICHMOND ROAD PHASE II**

drawing title

**TYPICAL DRAINAGE DETAILS - SHEET 3**

client

**MALKEY LIMITED**

designed by	author	scale	sheet size
DCB	DKE	AS SHOWN	A1
drawing no.		revision	
210178-DBFL-CS-SP-DR-C-5303		P02	